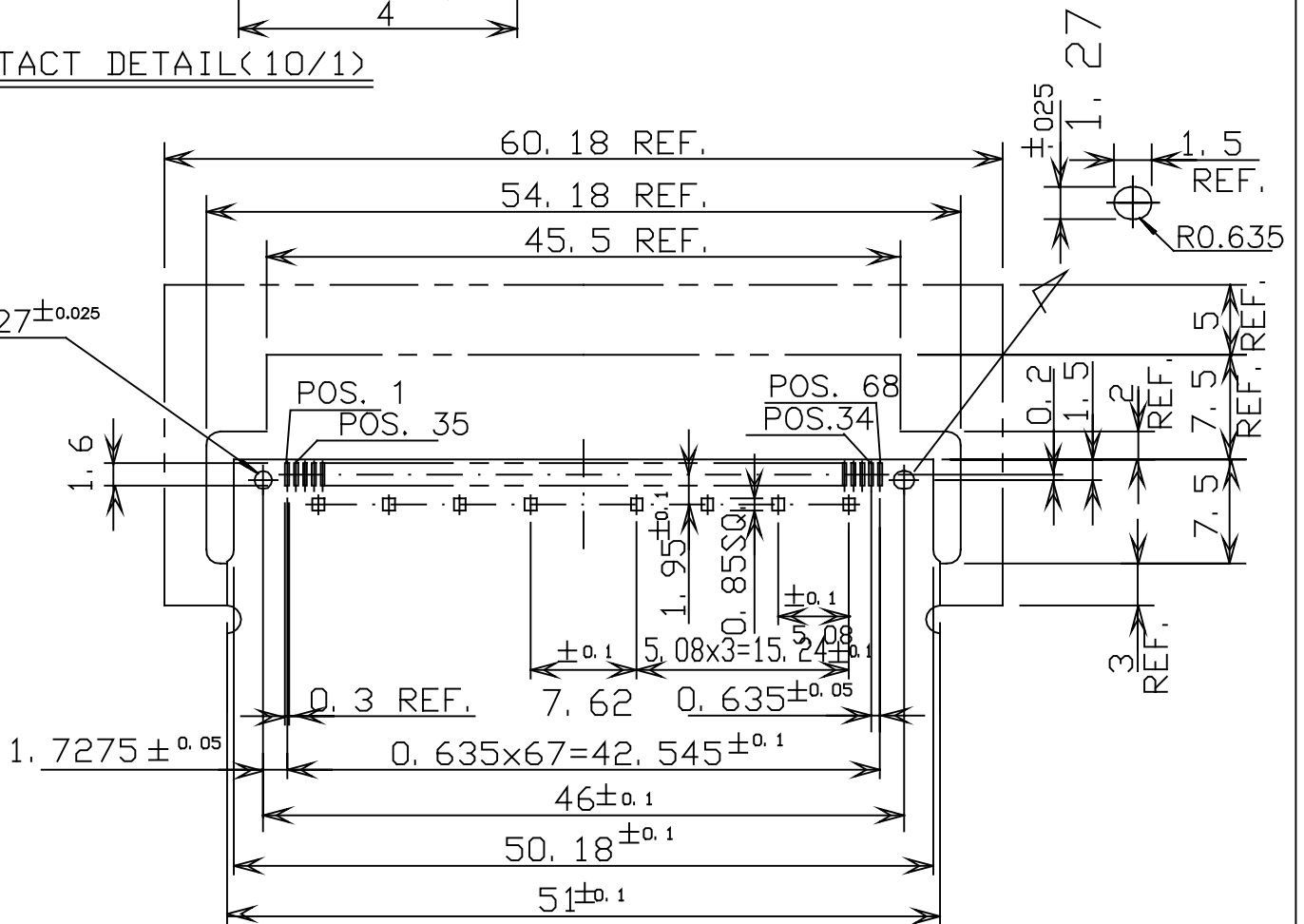
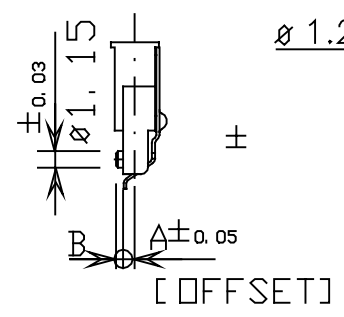


NOTE 1. CONNECTOR TO COMPLY WITH PCMCIA PC CARD STANDARD RELEASE '95
 2. CONTACT PLATING
 CONTACT AREA: Au 0.1μm MIN. OVER Pd 0.5μm MIN.
 TERMINAL AREA: 9/1 TIN/LEAD 1.5μm MIN.
 ALLOVER: Ni 1μm MIN.
 3. SHIELD PLATE PLATING
 DIMPLE AREA: Au 0.1μm
 UNDERPLATING: Ni 1μm



△ ICMB-68FYGA-DM09	0.9	0.4 ⁰ _{-0.15}
△ ICMB-68FYGA-DM06	0.6	0.5±0.15
ICMB-68FYGA-DM03	0.3	0.5±0.15
△ *ICMB-68FYGA-DM02	0.2	0.5±0.15
*ICMB-68FYGA-DM00	0	0.5±0.15
△ P/N	DIMENTION A	DIMENTION B

* THERE CONFIGURATIONS ARE IN THE PLANING STAGE

HONDA
PRINT RM
JUN. 19. 1997
ISSUED

LTR.	DATE	BY	REV. DESCRIPT	NO.	PART NAME	MATERIAL	QTY	FINISH	NOTE
△	JUN. 19 1997	K. Y	ADD OFF SET 0.2mm						
△	NOV. 25 1996	K. Y	CHANGE SHAPE	3	SHIELD PLATE	PHOSPHOR BRONZE			REFER TO NOTE 3
△	NOV. 8 1996	K. Y	CHANGE PART NO.	2	CONTACT	PHOSPHOR BRONZE	68		REFER TO NOTE 2
△	NOV. 5 1996	K. Y	ADD PART NO.	1	INSULATOR	LCP(GF)	1		UL94V-0 BLACK

DATE	SCALE	UNIT	3RD. A. P.		HONDA TSUSHIN KOGYO., LTD.				
JUL. 24 (1996)	2 / 1	mm(INCH)							
DR	DE	CHK	CHK	APP.	NAME	68 POS. SOCKET CONNECTOR FOR CARD BUS PC CARD			
					PART NO.	ICMB-68FYGA-DMK		REV.	4E